

Assembly instructions for installation into McArthur Evo and Hunter Evo framing (McArthur Evo framing used in images).

Use colour matched sealants in place of clear silicone wherever possible.

*Note:* Ensure all excess silicone is wiped away during assembly.  
 If access to the motors and wiring will be required at time of installation, it is recommended that the head plate assembly is instead installed on site **after** all wiring is complete.

# Dualair Assembly Instructions

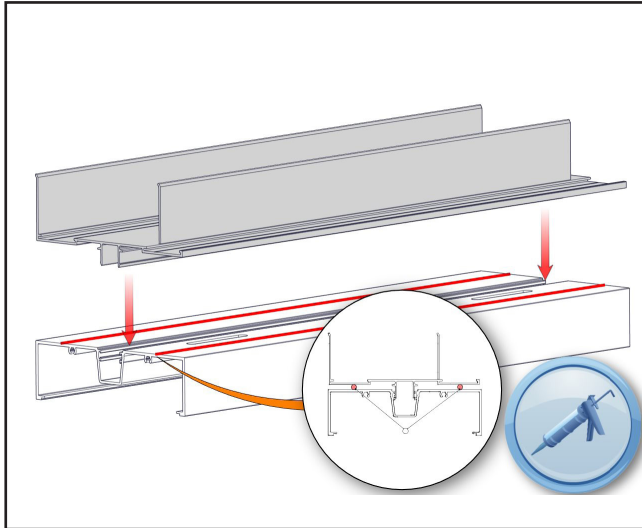


Fig 1.

### Step 1.

Apply silicone along McArthur Evo Sill in two lines. Each line runs length of the sill and is directly under each weatherstrip snap in area.

*Ensure a continuous bead of silicone is applied end to end.*

Snap Sill Plate Insert to McArthur Evo Sill.

*Refer to Figure 1.*

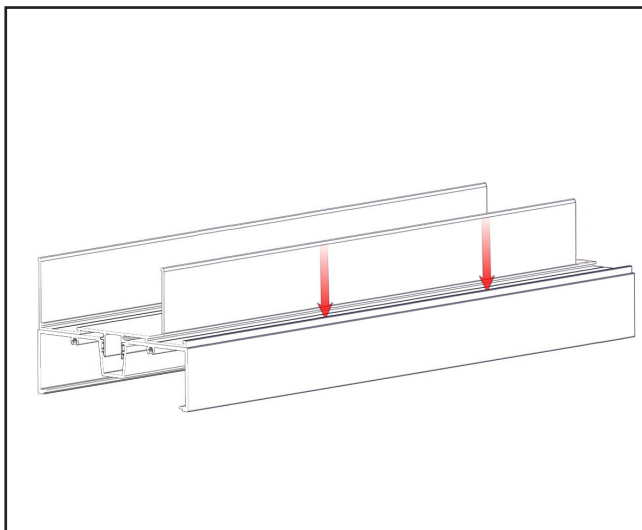


Fig 2.

### Step 2.

Visually inspect to ensure the Sill Insert Plate drain holes and the Sill drain holes are aligned correctly. Carefully tap the sides of the Sill Insert plate to centre if necessary.

*Refer to Figure 2.*

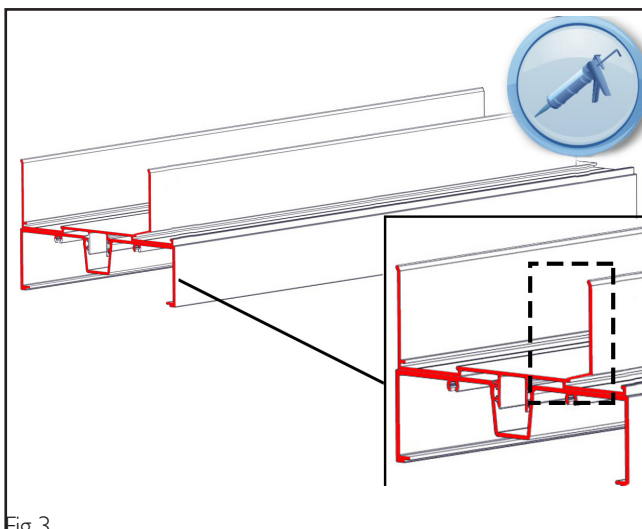


Fig 3.

### Step 3.

Apply silicone to end face of Sill & Sill Plate Insert, making sure to apply silicone to both upstands.

Ensure a line of silicone is applied across where the upstand has been processed.

Repeat this on both sides. All surfaces that contact jamb elements must have silicone.

*Refer to Figure 3.*

# Dualair Assembly Instructions

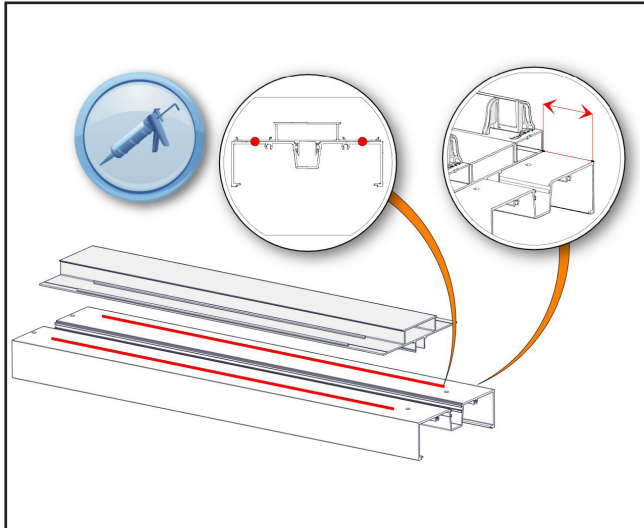


Fig 4.

## Step 4.

Apply silicone in two lines to the underside of the Jamb Plate, directly under each gallery snap in point, where it will contact the jamb below.

Snap Jamb Plate onto McArthur Evo/Hunter Evo jamb. Bottom of Jamb Plate should be 49.5mm from the bottom of the jamb.

Refer to Figure 4.

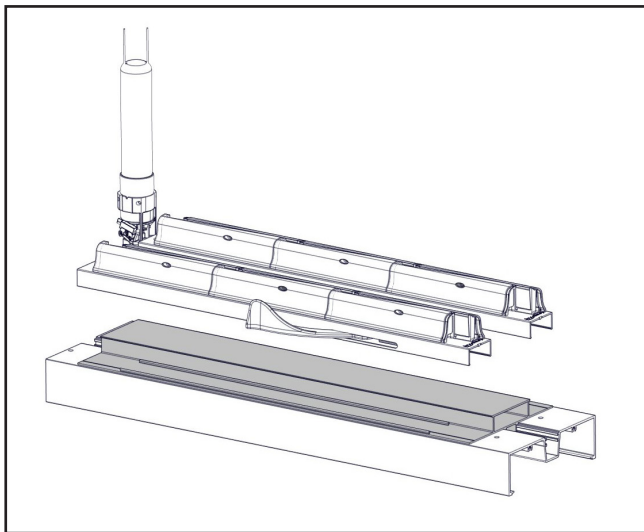


Fig 5.

## Step 5.

Snap the galleries to the Jamb Plate.

Refer to Figure 5.

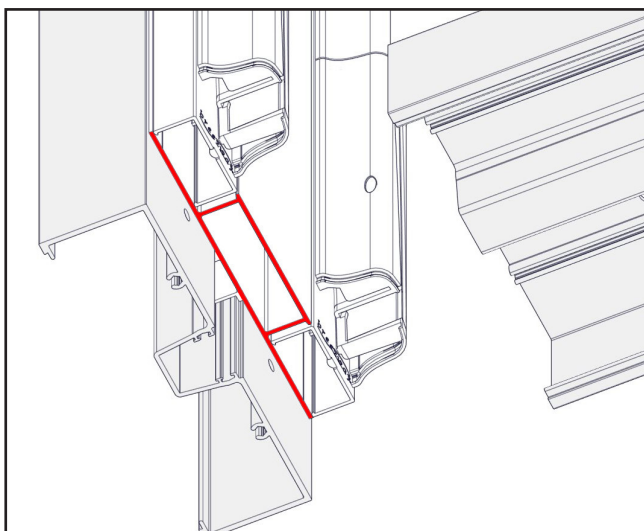


Fig 6.

## Step 6.

Apply silicone to bottom face of Jamb Plate (as shown in Figure 4).

It is not necessary to apply silicone to the snap in legs.

Refer to Figure 6.

# Dualair Assembly Instructions

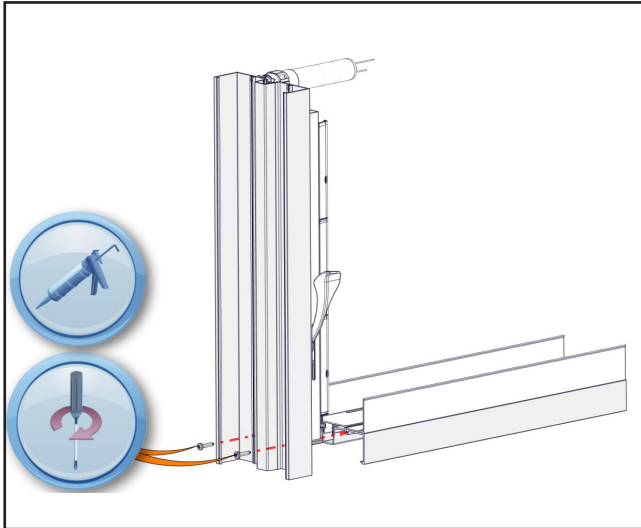


Fig 7.

## Step 7.

Apply silicone to screw holes on the first jamb. Pick up the jamb assembly and fix with screws to the sill. Jamb Plate & galleries sit *on top* of Sill Plate Insert.

Seal over screw heads with silicone.

Ensure any excess silicone is wiped away after the pieces are joined.

*Refer to Figure 7.*

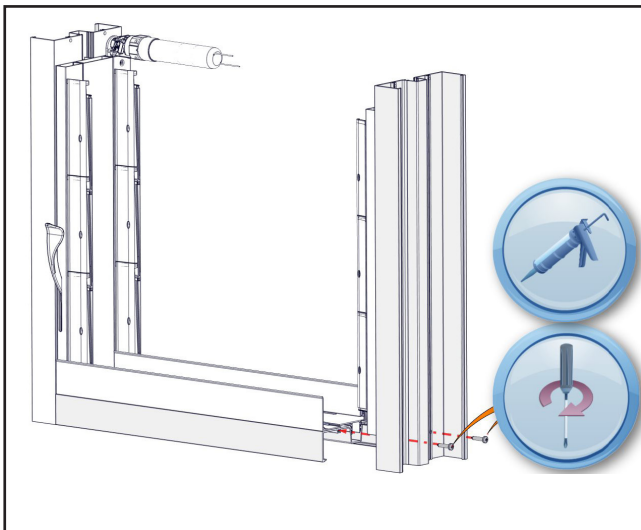


Fig 8.

## Step 8.

Repeat step 3 with the other side of the sill & the other jamb assembly.

*Refer to Figure 8.*

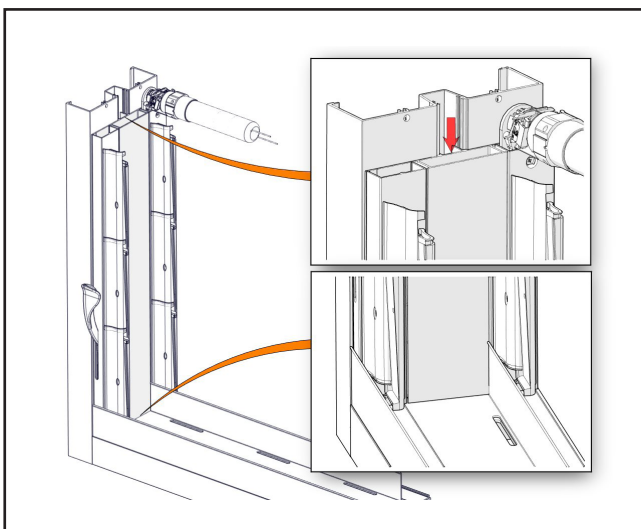


Fig 9.

## Step 9.

Jamb Plate & galleries should be sitting on top of Sill Plate Insert. Ensure no gap between the Jamb Plate/galleries and Sill Plate Insert by gently hammering top of these components.

Take care not to damage the motors or motor components during this step.

*Refer to Figure 9.*

# Dualair Assembly Instructions

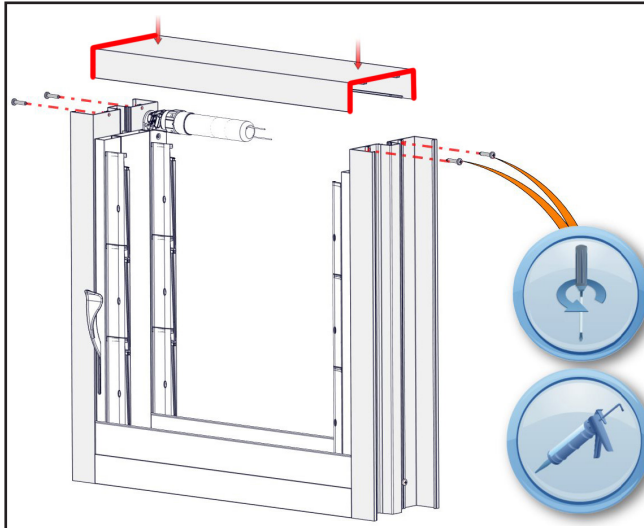


Fig 10.

## Step 10.

Once Jamb are correctly positioned, apply silicone to both end faces of McArthur Evo Plain Head and to jamb holes.

Carefully slide into position and fix with screws. Take care to ensure screw doesn't impact motor.

Seal over screw heads with silicone.

Ensure any excess silicone is wiped away after the pieces are joined.

*Refer to Figure 10.*

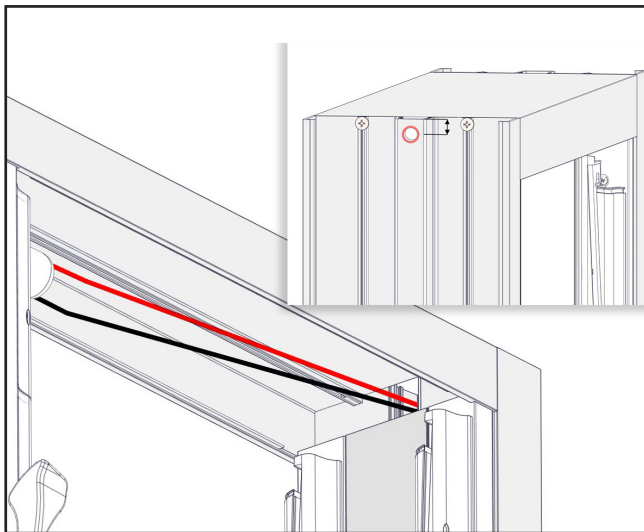


Fig 11.

## Step 11.

Drill 10mm hole for Powerlouvre wiring in centre pocket of Alspec jamb, 20mm down from the top of the jamb. Then drill smaller 4mm hole directly below (leave a 1mm wall minimum between holes).

Insert rubber grommet into 10mm hole to protect wiring. Feed wiring through 10mm hole. Zip tie through both holes to secure the wires in place. Then cover over holes with sealant.

PCB and internal wires are then to be fixed inside head, using double sided tape or similar.

*Refer to Figure 11.*

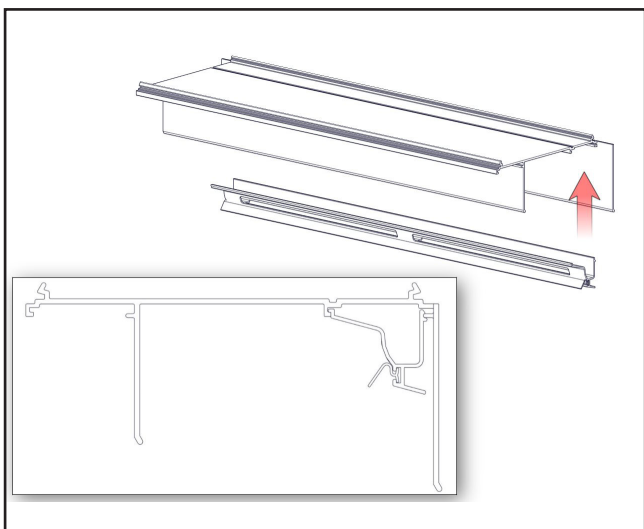


Fig 12.

## Step 12.

Snap the OUTSIDE weatherstrip into position of Head Insert Plate MK2.

For WPR configurations, the outside head weatherstrip has slots processed along the length.

*Refer to Figure 12.*

# Dualair Assembly Instructions

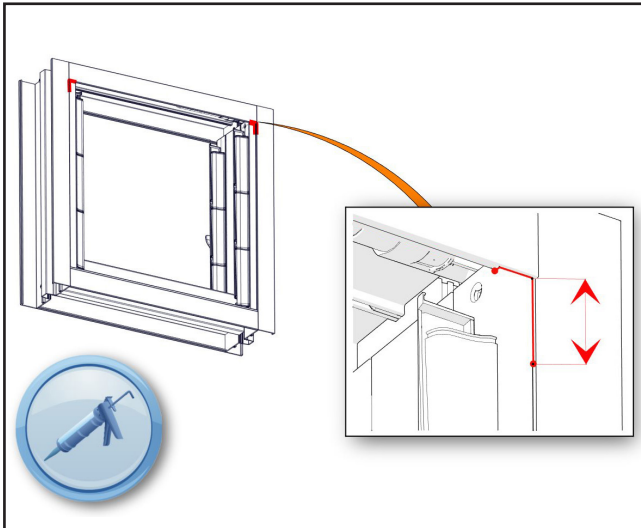


Fig 13.

### Step 13.

Apply silicone to joint between head and outside galleries, and continue silicone down approximately 65mm where the gallery and Jamb Plate meet. Do this to both sides.

Refer to Figure 13.

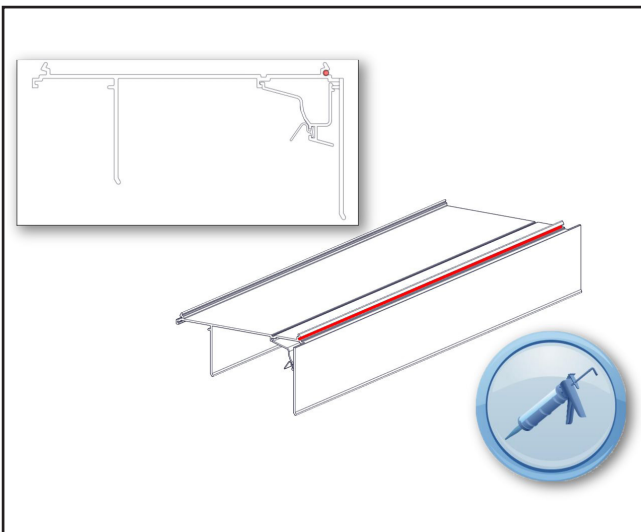


Fig 14.

### Step 14.

Run bead of silicone in the snap in point on the OUTSIDE of the Head Insert Plate MK2.

This is the area where the Head Insert Plate MK2 will snap to the head.

Ensure there is a solid bead from end to end.

Refer to Figure 14.

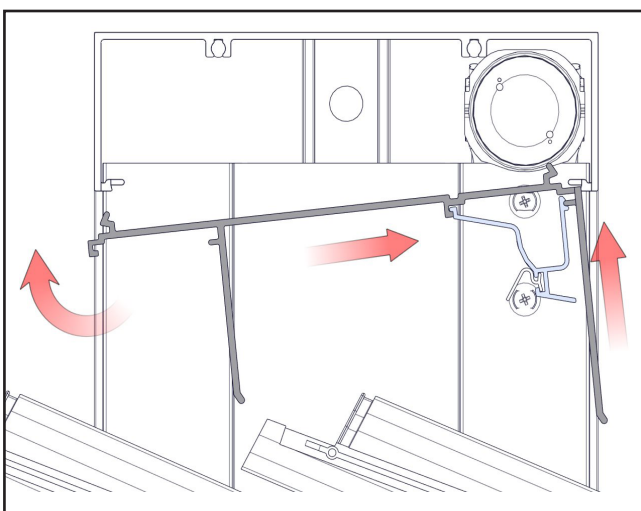


Fig 15.

### Step 15.

Open inside and outside louvres. Manouver head insert assembly into position, with the OUTSIDE upstand overlapping the outside of the galleries & the Head Insert Plate MK2 fitting between the Jamb Plates.

Push the outside snap in point up into position, then swing the inside snap in point up and snap into place, taking care to ensure no wires are trapped in the process.

Refer to Figure 15.

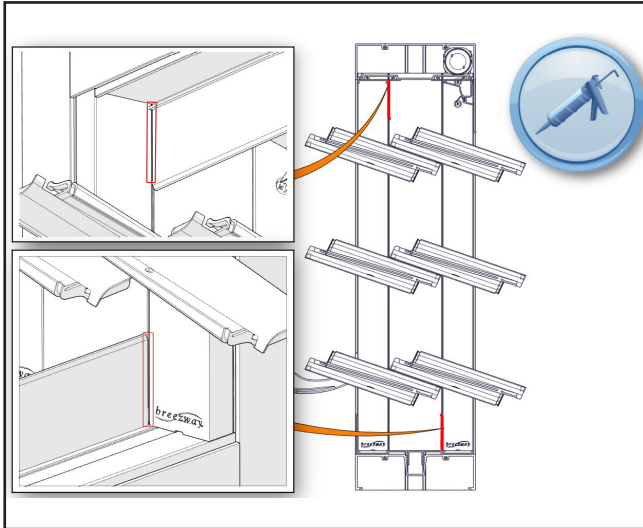


Fig 16.

### Step 16.

Apply silicone to Inside Head Insert upstand where it meets the gallery. Ensure this silicone is to the inside of the upstand in a place where the weatherstrip will cover it.

Apply silicone to outside sill upstand where it meets the gallery. Ensure this silicone is to the inside of the upstand in a place where the weatherstrip will cover it.

Refer to Figure 16.

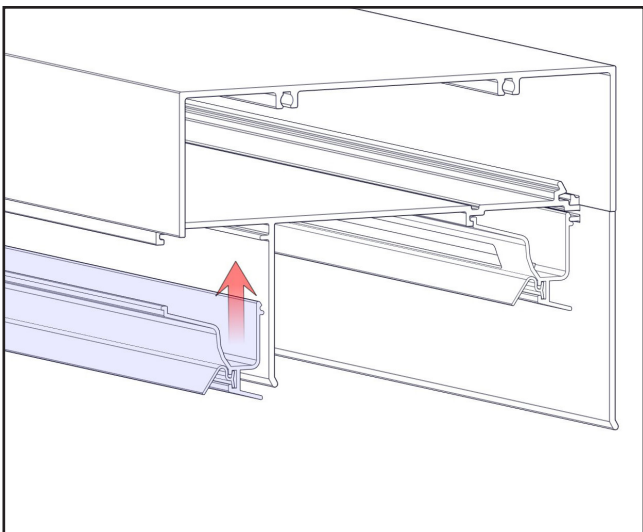


Fig 17.

### Step 17.

Snap inside head weatherstrip into place.

Refer to Figure 17.

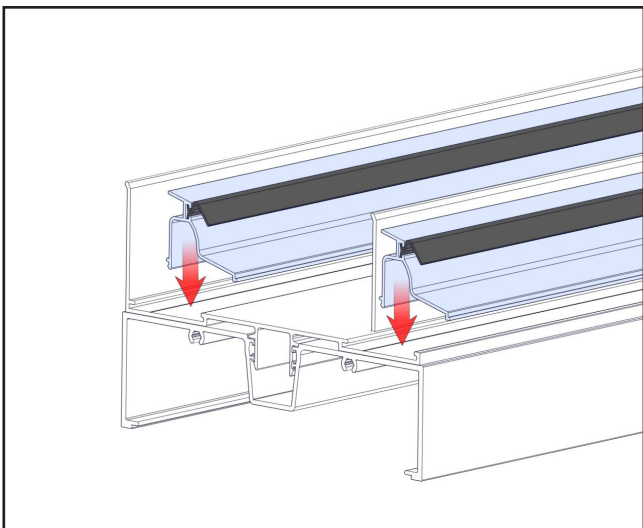


Fig 18.

### Step 18.

Snap sill weatherstrips into place.

The outside sill weatherstrip has drain holes processed in back upstand as per Breezway component installation instructions.

Refer to Figure 18.

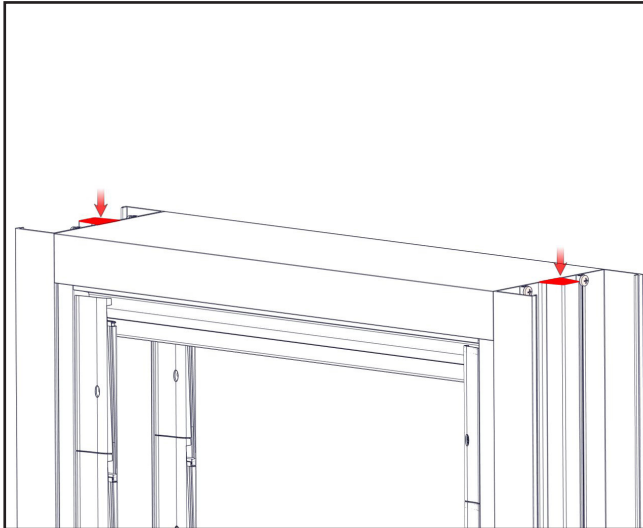


Fig 19.

### Step 19.

McArthur Evo Only:

Seal foam plugs into position at top of each jamb pocket.

Refer to Figure 19.

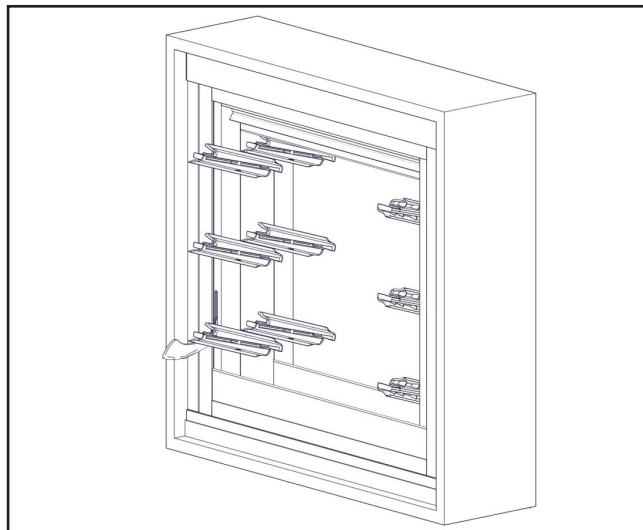


Fig 20.

### Step 20.

Attach cover plates to jambs & install window into Sub framing as per Alspec installation instructions.

Refer to Figure 20.

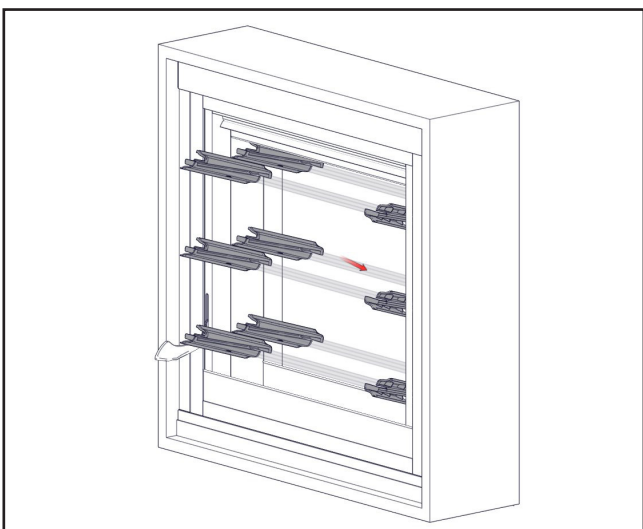


Fig 21.

### Step 21.

With Inside and outside clips open, slide all blades into place.

Refer to Figure 21.



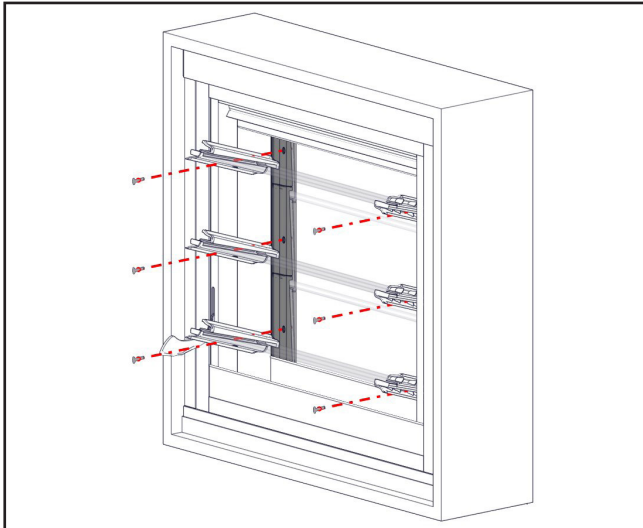


Fig 22.

**Step 22.**

Close the outside clips. Push Stronghold pins into place.

*Refer to Figure 22.*

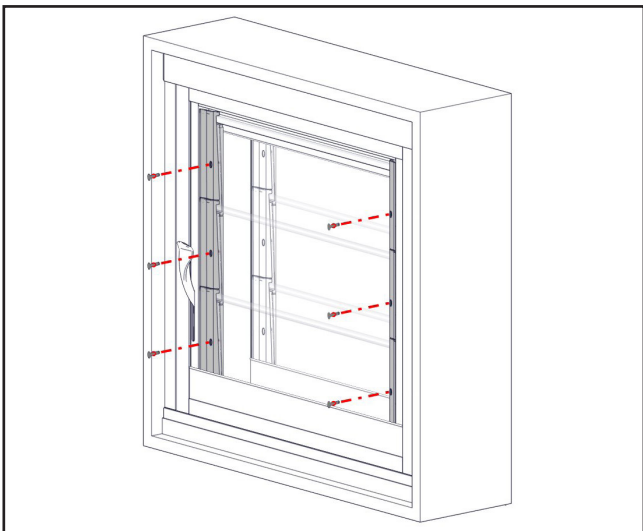


Fig 22.

**Step 23.**

Close the inside clips. Push Stronghold pins into place.

*Refer to Figure 23.*