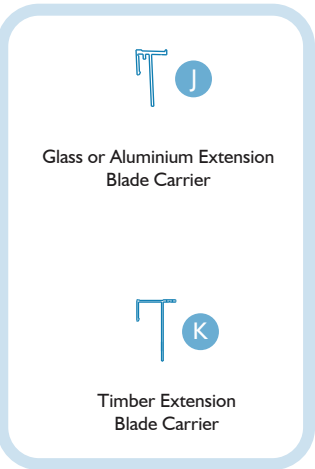
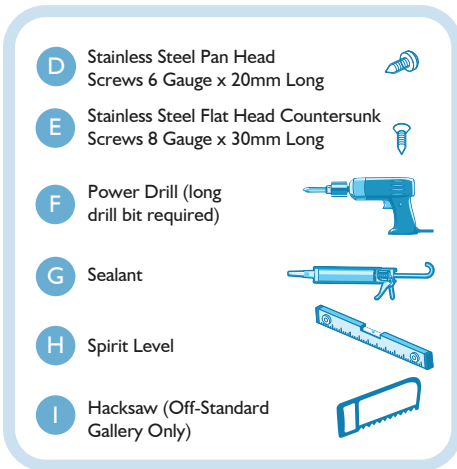
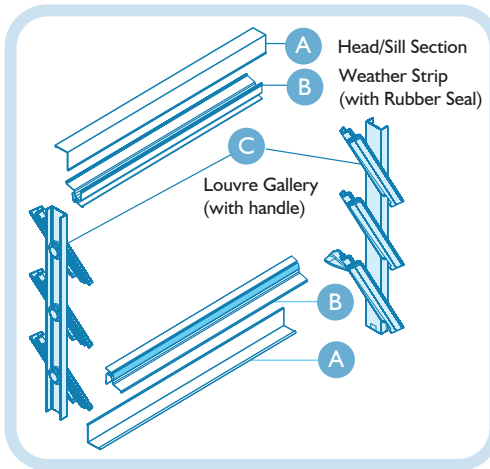


Installation Instructions

Standard Height Gallery

Fixings

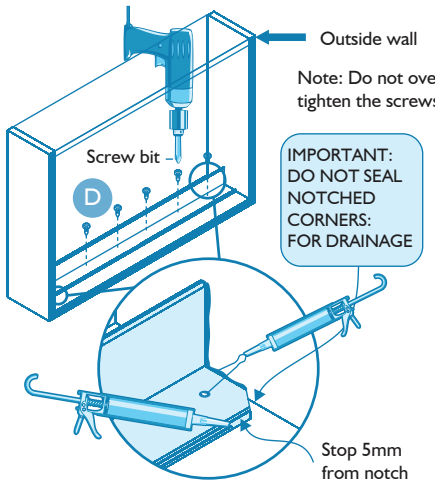
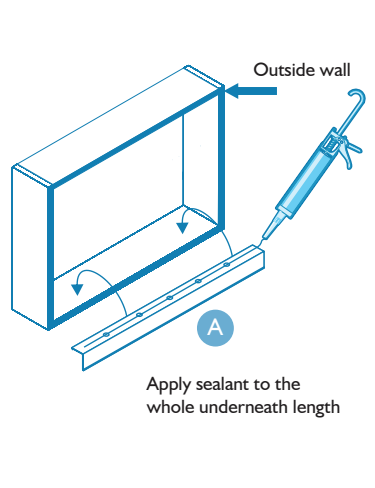
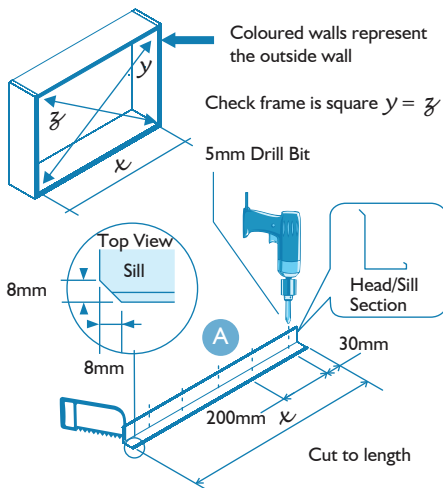
Off-Standard Height



1 Check frame to be true, drill holes in sill

2 Apply sealant to sill

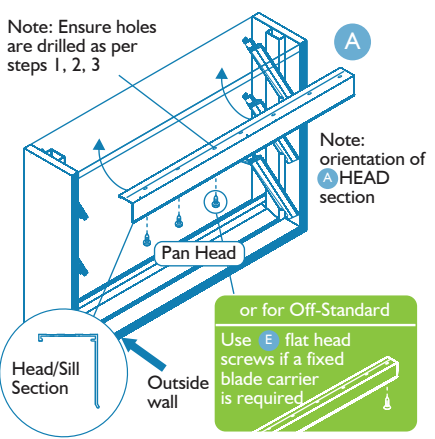
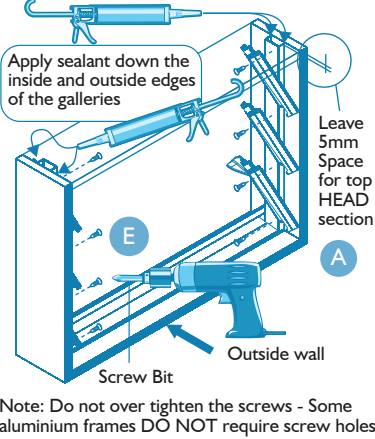
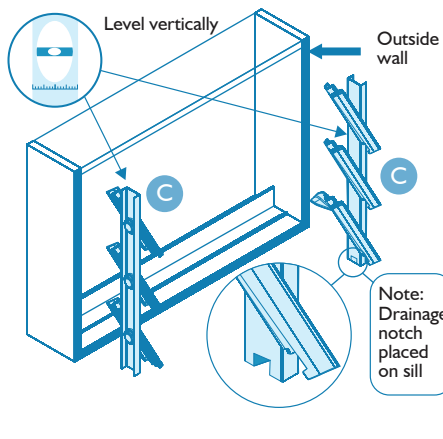
3 Attach sill



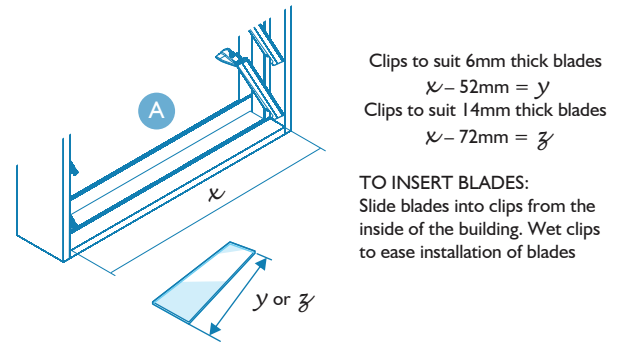
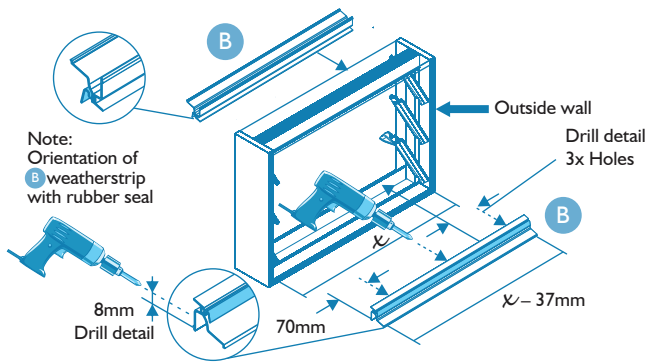
4 Insert louvre galleries

5 Attach Louvre galleries

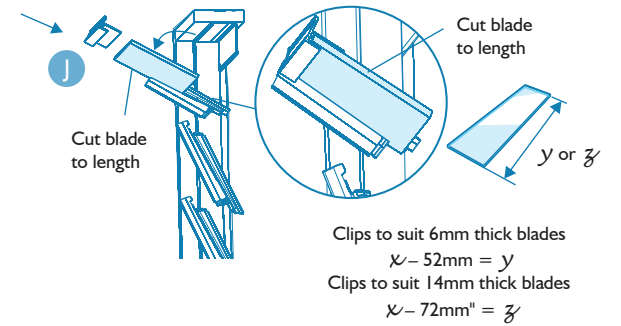
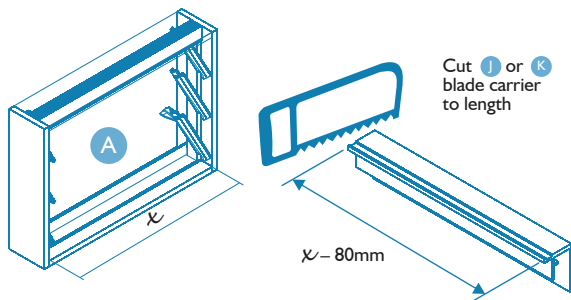
6 Insert and attach head section



**7** Check galleries to be true and plumb (Standard Height Only) | **8** Calculation of blade width (Standard Height Only)



**7a** Cut blade carrier to length (Off-Standard Height Only) | **8a** Assemble blade carrier and blade into galleries (Off-Standard Height Only)



**8b** Rotate blade and attach (Off-Standard Height Only) | **9** Insert blades and close louvres (Off-Standard Height Only)

